

Kuskoa Bi 5 legs

Design by Iratzoki Lizaso



The Kuskoa Bi, the first chair in the world to be manufactured in bioplastic, is now available in an office version. The wooden legs are replaced by a central metal structure.

CATEGORY:

Office chair

ENVIRONMENT:

Indoor

APPLICATIONS:

- CHR
- Public
- Office

WEIGHT: 15,5 kg

MATERIALS:

5 legs swivel with castors, white matt, jack for adjustment between 380 mm to 500 mm.

Bio plastic shell in 2 versions: Seat pad upholstered or fully upholstered legs available in 2 mat colors: White or black.

IN OPTION: CMHR foam (non fire)

MADE TO ORDER: Finishes and upholsteries, page 2

SPARE PARTS: N/A

ACCESSORIES:

Removable seat pad, upholstered in fabric, eco leather or leather

ASSEMBLED PRODUCT: Yes

COM UPHOLSTERY:

Upon request and under alki's confirmation.

- **Kuskoa Bi:** COM 1,35 x 1,40 m / chair
COL 5m² / 1,5 chairs
- **Kuskoa Bi seat pad:** COM 0.75 x 1,40 m / 2 chairs
COL 5m² / 8 chairs

CLEANING AND CARE INSTRUCTIONS:

Dry cloth. To avoid aerosol and spray products with silicone. For upholstery versions please find cleaning instructions for selected fabric at kvadrat.de, gabriel.dk, anticcuir.com and hornschurch.com

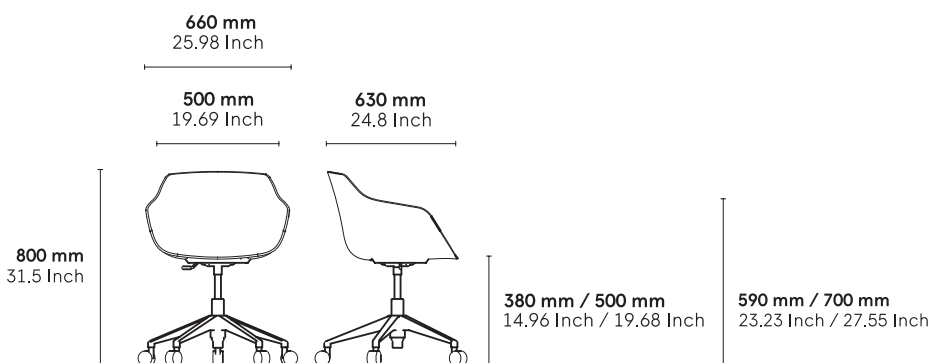
DOWNLOADS:

3D and 2D files are available at alki.fr – images bank section.

KUSKOA COLLECTION:



DIMENSIONS :



Non contractual document - modifiable without previous notice.

Kuskoa Bi 4 fixed legs

Design by Iratzoki Lizaso



The Kuskoa Bi, the first chair in the world to be manufactured in bioplastic, is now available in an office version. The wooden legs are replaced by a central metal structure.

CATEGORY:

Office chair

ENVIRONMENT:

Indoor

APPLICATIONS:

- CHR
- Public
- Office

WEIGHT: 6.5 kg

MATERIALS:

4 fixed legs, white matt, revolving seat
Bio plastic shell in 2 versions: Seat pad upholstered or fully upholstered
legs available in 2 mat colors: White or black.

IN OPTION: CMHR foam (non fire)

MADE TO ORDER: Finishes and upholsteries, page 2

SPARE PARTS: N/A

ACCESSORIES:

Removable seat pad, upholstered in fabric, eco leather or leather

ASSEMBLED PRODUCT: Yes

COM UPHOLSTERY:

Upon request and under alki's confirmation.

- Kuskoa Bi: COM 1,35 x 1,40 m / chair
COL 5m² / 1,5 chairs
- Kuskoa Bi seat pad: COM 0.75 x 1,40 m / 2 chairs
COL 5m² / 8 chairs

CLEANING AND CARE INSTRUCTIONS:

Dry cloth. To avoid aerosol and spray products with silicone. For upholstery versions please find cleaning instructions for selected fabric at kvadrat.de, gabriel.dk, anticcuir.com and hornschurch.com

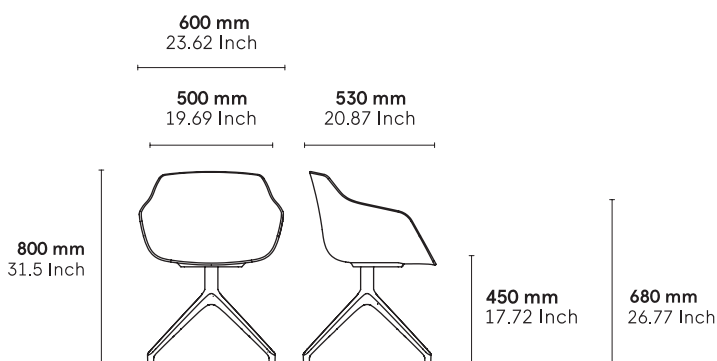
DOWNLOADS:

3D and 2D files are available at alki.fr – images bank section.

KUSKOA COLLECTION:



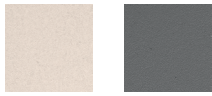
DIMENSIONS :



Non contractual document - modifiable without previous notice.

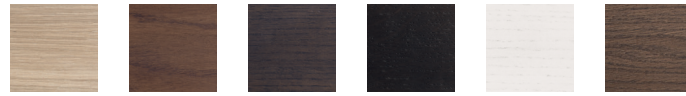
Finishes

Bioplastic



Are Lur

Wood



Natural Oak Ash Grey Oak Tourbe Oak Carbon Oak White Stained Oak Walnut Stained Oak

Leather

G4: Gracia



Gracia 917 Gracia 902 Gracia 903 Gracia 908 Gracia 911 Gracia 920
Gracia 924 Gracia 925 Gracia 929 Gracia 930 Gracia 941 Gracia 943
Gracia 944 Gracia 945 Gracia 950 Gracia 967

Eco Leather

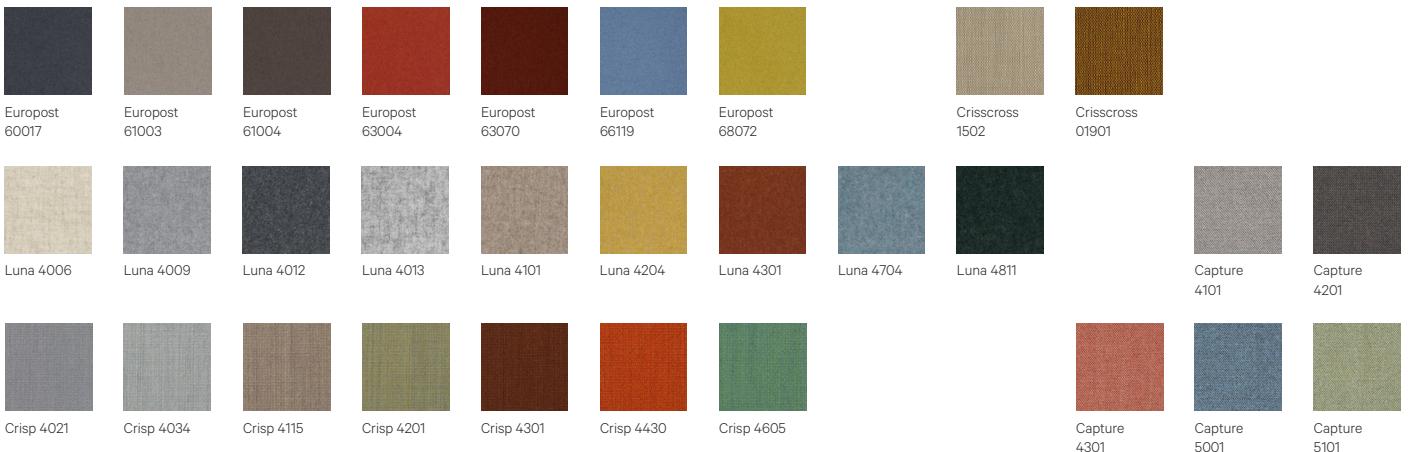
G1: Palma | G2: Palma NF



Palma Silver Grey Palma NF Baltic Palma NF Perle Palma Mimosa Palma NF Birke
Palma NF Smoke Palma Fango Palma Olivbraun Palma NF Kenia Palma NF Inka
Palma Whisky Palma Lachs Palma NF Antrazit Palma NF Schwartz

Fabrics by Gabriel

G1: Europost, Crisp, Capture | G2: Crisscross | G3: Luna



Europost 60017 Europost 61003 Europost 61004 Europost 63004 Europost 63070 Europost 66119 Europost 68072 Crisscross 1502 Crisscross 01901
Luna 4006 Luna 4009 Luna 4012 Luna 4013 Luna 4101 Luna 4204 Luna 4301 Luna 4704 Luna 4811 Capture 4101 Capture 4201
Crisp 4021 Crisp 4034 Crisp 4115 Crisp 4201 Crisp 4301 Crisp 4430 Crisp 4605 Capture 4301 Capture 5001 Capture 5101

Fabrics by Kvadrat

G1: Remix | G2: Molly, Canvas | G3: Steelcut Trio



Steelcut Trio 113 Steelcut Trio 124 Steelcut Trio 416 Steelcut Trio 453 Steelcut Trio 515 Molly 112 Molly 114 Molly 152 Molly 194
Canvas 154 Canvas 414 Remix 173 Remix 252 Remix 412 Remix 422 Remix 612 Remix 873 Remix 982