

RP-E-1418P

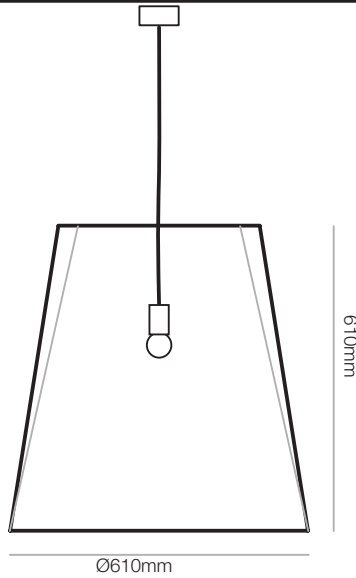
Canterbury Pendant



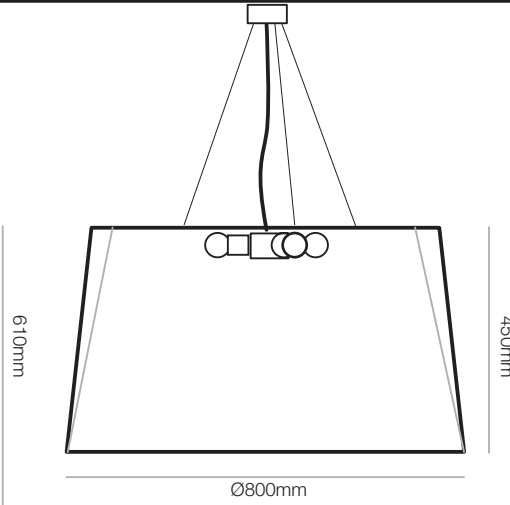
Canterbury Pendant

DIMENSIONS

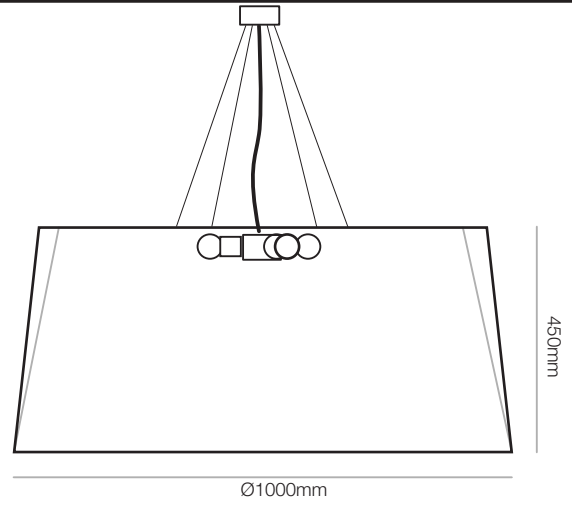
CANTERBURY600



CANTERBURY800



CANTERBURY1000



DIMENSIONS ARE FULLY CUSTOMISABLE

PRODUCT TECHNICAL SPECIFICATION

NAME: CANTERBURY
STYLE: PENDANT
MATERIALS & FINISH: EXTERIOR - MATERIAL FROM RAKUMBA SELECTION OR CUSTOM BONDED FABRIC
 INTERIOR - CUSTOMER SPECIFIED SILK, HAND MADE RUFFLE PLEAT
 DIFFUSER - OPTIONAL FLOATING DIFFUSER
LIGHT SOURCE: CANTERBURY600 - 1 X E27 // 240v // LED OR CFL GLOBES RECOMMENDED MAX. 24W
 CANTERBURY800 - 3 X E27 HUB // 240v // LED OR CFL GLOBES RECOMMENDED MAX. 24W
 CANTERBURY1000 - 3 X E27 HUB // 240v // LED OR CFL GLOBES RECOMMENDED MAX. 24W
 OPTIONAL - 2 x TRIDONIC LED DISKS (UP+DOWN CONFIG.) //240V DRIVER // 29.2W PER DISK // 3800lm PER DISK // 3000K
SUSPENSION: CANTERBURY600 - BRAIDED TEXTILE FLEX // SEAMLESS CANOPY
 CANTERBURY800 & 1000 - STEEL CABLES // BRAIDED TEXTILE FLEX // SEAMLESS CANOPY

designnation.com.au

Rakumba has been producing custom-made feature lighting for the Australian design industry since 1968. Collaborating with designers across a wide range of sectors from commercial to residential, we take pride in our bespoke service, attention to design detailing and ability to deliver on any scale of project.